

PRODUCT SPECIFICATIONS

High resolution Dome Color Camera

WCC-508DV

540TVL, Day & Night, Vandal proof

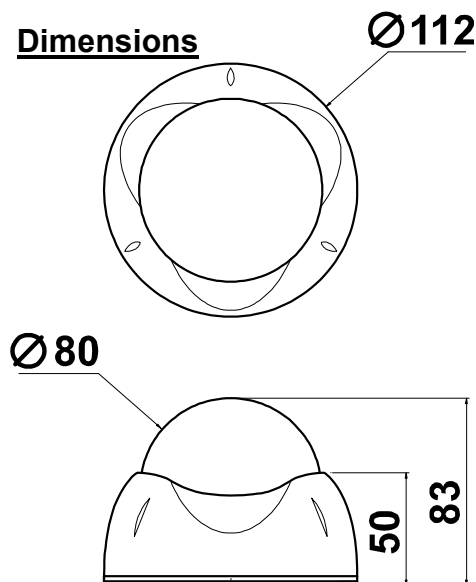
Features

- 410K Pixel, 1/3" Sony Color CCD
- High Resolution up to 540HTVL Equivalent
- Digital Day & Night
- DNR (Digital Noise Reduction) for Reducing HDD capacity
- Easy Adjustment with 3 Axis
- 3.7mm Fixed Lens
- Weather-proof (IP65), High-Impact Vandal Proof Dome Housing

Picture



Dimensions



unit : mm

Specifications

MODEL	WCC-508DV	
Signal system	NTSC	PAL
Image sensor	1/3" Interline Transfer Type Sony CCD	
Total pixels	811(H)X508(V)	795(H)X596(V)
Effective pixels	768(H)X494(V)	752(H)X582(V)
Resolution	More than 540 TV lines	
Scanning frequency	15.734KHz(H), 60(V)	15.625KHz(H), 50(V)
Shutter speed	1/60~1/100,000 sec	1/50~1/100,000 sec
Minimum illumination	Color : 0.3 Lux, 0.0008 Lux (Sense-up : Auto(2x~128x))	
Day & Night	D&N Function by Digital Change : Auto/Off	
Shutter	Auto	
White balance	Auto	
BLC	Auto	
AGC	Auto	
DNR	Auto	
Sharpness	Auto	
S/N ratio	More than 50dB	
Video output	Composite video output 75Ω terminated	
Lens	3.7mm Fixed Lens DC Auto Iris Lens 4~9mm (Option)	
Sync. system	Internal	
Operating humidity	30 % ~ 90 % RH	
Operating temperature	- 10°C to 50°	
Dimension	φ80(Bubble) x 83(H)	
Weight	About 600g	
Power consumption	180mA	
Power supply	DC 12 V(10.2V~14.5 V)	