

# PRODUCT SPECIFICATIONS

## High Resolution Color Dome Camera

# WCC-500D

## 540TVL, DNR, DSS

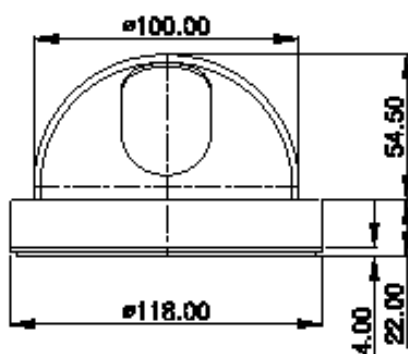
### Features

- 410K Pixel Sony 1/3" HAD CCD
- High Resolution of 540TV Lines
- Day & Night , Motion Detection Function
- Built-in OSD (On Screen Display) Menu
- Removed noise & ghost images with DNR
- Privacy image masking with free position: 4 Zones

### Picture



### Dimensions



unit : mm

### Specifications

MODEL	WCC-500D	
Signal system	NTSC	PAL
Image Sensor	1/3" Interline Transfer Type Sony CCD	
Total Pixels	811(H)X508(V)	795(H)X596(V)
Effective Pixels	768(H)X494(V)	752(H)X582(V)
Resolution	More than 540 TV lines	
Scanning Frequency	15.734KHz(H), 60(V)	15.625KHz(H), 50(V)
Shutter Speed	1/60~1/100,000 sec	1/50~1/100,000 sec
Min. Illumination	Color : 0.3 Lux@F1.2(Color) 0.0008Lux (Sense-up : Auto(2x~128x))	
Day & Night	D&N Function by Digital Change : Auto/Off	
Shutter	ESL / Manual / Flickerless	
White Balance	ATW / AWC / MANUAL	
BLC	Low / Middle / High / Off	
AGC	Low / Middle / High / Off	
DNR	Auto / Off	
Privacy Zone & Motion Detection	4 Programmable Zone	
Sharpness	On( level : 0 ~ 31) / Off	
Camera ID	On / Off	
S/N Ratio	More than 50dB	
Video Output	Composite video output 75 ohm terminated	
Lens	3.7mm	
Sync. System	Internal	
Operating Humidity	30 % ~ 90 % RH	
Operating Temp.	- 10°C to 50°	
Dimension	φ100(Bubble) x 76.5(H)mm	
Weight	About 300g	
Power Consumption	180mA	
Power Supply	DC 12 V(10.2V~14.5 V)	