

PRODUCT SPECIFICATIONS

Color Dome Camera

WCC-270D

380 TVL, 0.5Lux

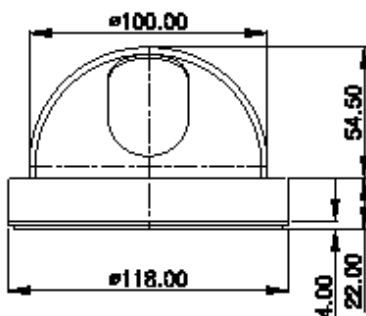
Features

- Digital Signal Processing (DSP) allows better picture quality
- 1/3 " Color CCD
- Center zone weighted back light compensation
- High quality pictures in low-light conditions
- Full Auto white balance
- Auto gain control / Electronic iris
- Fixed Lens (3.6mm): Other lenses are available as option
- Compact Size (100mm diameter)

Picture



Dimensions



unit : mm

Specifications

MODEL	WCC-270D	
Signal system	NTSC	PAL
Image Sensor	1/3" LG CCD	
Total Pixels	768(H)X494(V)	752(H)X582(V)
Effective Pixels	512(H)X492(V)	512(H)X582(V)
Resolution	More than 380 TV lines	
Scanning Frequency	15.734KHz(H), 60(V)	15.625KHz(H), 50(V)
Shutter Speed	1/60~1/100,000 sec	1/50~1/100,000 sec
Min. Illumination	Color : 0.5 Lux (F:1.2) AGC Off,	
White Balance	Auto	
S/N Ratio	More than 48dB	
Video Output	Composite video output 75 ohm terminated	
Lens	3.6mm (F:2.0)	
Sync. System	Internal	
Operating Humidity	30 % ~ 90 % RH	
Operating Temp.	- 10°C to 50°	
Dimension	φ100(Bubble) x 76.5(H)mm	
Weight	About 250g	
Power Consumption	180mA	
Power Supply	DC 12 V(10.2V~14.5 V)	