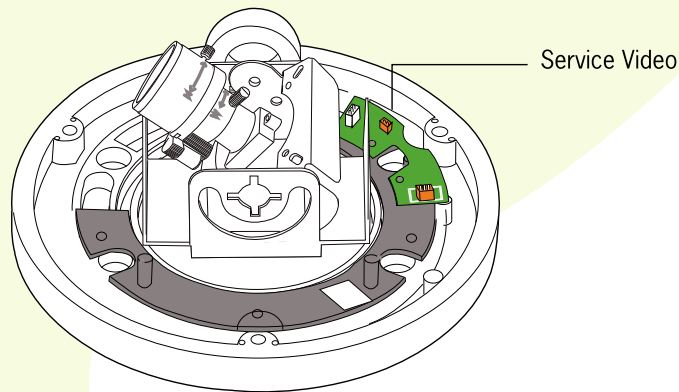
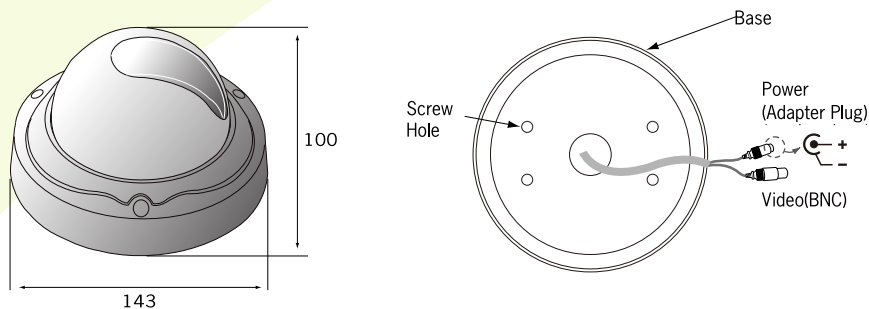


Day & Night Vandal Resistant Dome Camera (W-10VP)



Dimension



Specifications

TV System	NTSC	PAL
Image Sensor	1/3" SONY SuperHAD CCD	
Pixels	270,000	320,000
Scanning System	2:1 Interlace	
Synchronization	Internal	
Frequency	Horizontal:15.734KHz Vertical:59.94Hz	Horizontal:15.625KHz Vertical:50.00Hz
Resolution	420 TV Lines	
S/N Ratio	48dB Min. (AGC OFF)	
Video Output	1.0Vp-p composite video at 75ohm	
LENS	4~9mm Manual Lens	
Min. Illumination	0.01 Lux(F2.0)	
White Balance	ATW	
White Balance Range	AWB, ATW(3200 ~10000 K)	
Electronic Shutter	1/60~1/100,000sec.	1/50~1/100,000sec.
Gamma Correction	$\gamma = 0.45$	
Gain Control	AGC	
Operation Temperature	-10℃ ~50℃	
Operational Humidity	Within 90% RH	
Power Supply	DC12V / 90mA(Max)	
Dimensions	143mm(Ø) X 100mm(H)	
Weight	Abt. 960g	
Cable	500m BNC, DC Jack	